

CARCASSES

MORTISE AND TENON CONSTRUCTION

WE NOW ARE ABLE TO MANUFACTURE COLOURED CARCASSES, ENQUIRE WITHIN FOR A QUOTATION.

- ALL CARCASS UNITS SHOWN ON THE FOLLOWING PAGES WILL BE CUSTOM MADE TO THE HEIGHT, WIDTH AND DEPTH REQUESTED ON COMPLETED ORDER FORM.
- FOR PRICING PURPOSES WHEN ORDERING A UNIT, THE GRAPH USED IS ROUNDED UP TO THE NEAREST 100mm. UNITS THAT EXCEED STATED SIZES WILL RECEIVE A SURCHARGE (P.O.A).
- SHELF QUANTITIES WILL COME AS DEFAULT AS PER THE FOLLOWING REFERENCE DRAWINGS, PLEASE SPECIFY CHANGES TO SHELF QUANTITIES ESPECIALLY WHEN ADJUSTING A UNITS DEFAULT HEIGHT.
- ALL RAILS ARE SUPPLIED AS SHOWN (ON FLAT), CORNER BASE UNITS ARE SUPPLIED WITH FULL TOP WITH KNOCK OUT TOGGLE SLOTS FOR ACCESSABILITY TO BENCHTOP TOGGLES FROM UNDERNEATH.
- PLEASE INDICATE IF VERTICAL RAIL FOR ANY SINK UNIT IS REQUIRED.
- VOIDS WILL COME AS PER THE FOLLOWING REFERENCE DRAWINGS BUT CAN BE ADJUSTED ON REQUEST.
- ALL MACHINING HOLES ARE PRESENT BY DEFAULT BUT CAN BE REMOVED ON REQUEST AT NO EXTRA COST (eg. HINGE PLATE HOLES, CONNECTOR HOLES, ADJUSTABLE SHELF HOLES ETC.).
- ADJ SHELF HOLES ADDED TO BACK WHEN UNIT WIDTH IS 900mm AND ABOVE.
- ALL HARDWARE IS HETTICH (eg. HINGES, DRAWER RUNNERS etc.)
- HINGE PLATE HOLE DETAILS ARE AS FOLLOWS:
 - 2 HINGE PLATES - 959mm Max. Height
 - 3 HINGE PLATES – 960 – 1679mm Height
 - 4 HINGE PLATES – 1680 – 2399mm Height
 - 5 HINGE PLATES – 2400mm And Above

TOP & BOTTOM HINGE PLATE HOLE CENTRES ARE 120mm FROM TOP & BOTTOM, ALL OTHER HINGE PLATES IF PRESENT ARE SPACED EVENLY BETWEEN.

TOP & BOTTOM HINGE PLATE CENTRES DEFAULT TO 55mm FROM TOP & BOTTOM WHEN UNIT HEIGHT IS 400mm AND BELOW.

CARCASS PRICE GUIDE

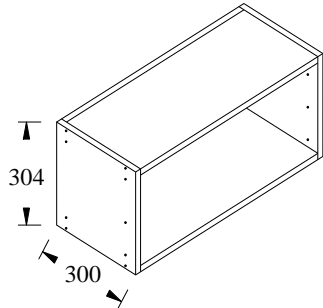
Prices exclude GST

OVERHEAD UNITS

CODE – SOH (Short Overhead)

Size 304 High x 300 Deep

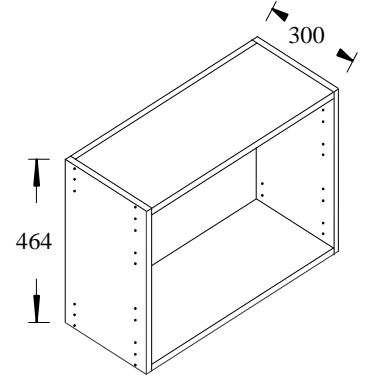
Width
300
350
400
450
500
600
700
800
900
1000
1100



CODE – MOH (Mid Overhead)

Size 464 High x 300 Deep

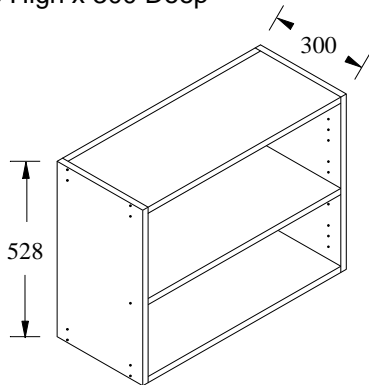
Width
300
350
400
450
500
600
700
800
900
1000
1100



CODE – TMOH (Tall Mid Overhead)

Size 528 High x 300 Deep

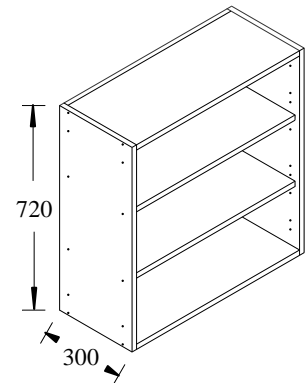
Width
300
350
400
450
500
600
700
800
900
1000
1100



CODE – OH (Overhead)

Size 720 High x 300 Deep

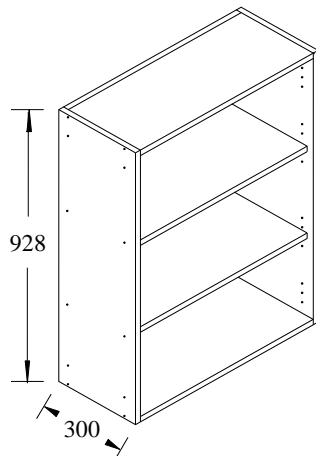
Width
300
350
400
450
500
600
700
800
900
1000
1100



CODE – TOH (Tall Overhead)

Size 928 High x 300 Deep

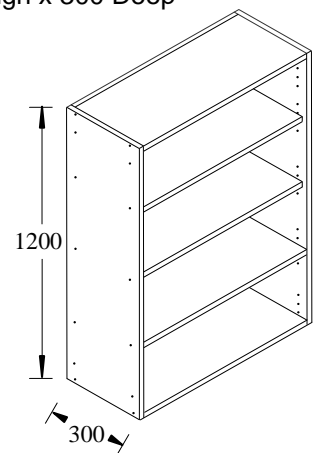
Width
300
350
400
450
500
600
700
800
900
1000
1100



CODE – ETOH (Extra Tall Overhead)

Size 1200 High x 300 Deep

Width
300
350
400
450
500
600
700
800
900
1000
1100



OVERHEAD CORNER/DIAGONAL UNITS (FIXED SHELVES)

CODE – OHC (Overhead Corner)
Size 720 High x 300 Deep

Size
600 x 600
900 x 900

For corner units
the first dimension
given will be deemed
to be the left hand
back measurement

5 mm void to carcass back

CODE – OHCE (Overhead Corner Extension)
Size 720 High x 300 Deep

Size
600 x 900
900 x 1200

For corner units
the first dimension
given will be deemed
to be the left hand
back measurement

5 mm void to carcass back

CODE – TOHC (Tall Overhead Corner)
Size 928 High x 300 Deep

Size
600 x 600
900 x 900

For corner units
the first dimension
given will be deemed
to be the left hand
back measurement

5 mm void to carcass back

CODE – TOHCE (Tall Overhead Corner Extension)
Size 928 High x 300 Deep

Size
600 x 900
900 x 1200

For corner units
the first dimension
given will be deemed
to be the left hand
back measurement

5 mm void to carcass back

CODE – ETOHC (Extra Tall Overhead Corner)
Size 1200 High x 300 Deep

Size
600 x 600
900 x 900

For corner units
the first dimension
given will be deemed
to be the left hand
back measurement

5 mm void to carcass back

CODE – ETOHCE (Extra Tall Overhead Corner Extension)
Size 1200 High x 300 Deep

Size
600 x 900
900 x 1200

For corner units
the first dimension
given will be deemed
to be the left hand
back measurement

5 mm void to carcass back

CODE – OHCD (Overhead Corner Diagonal)
Size 720 High x 300 Deep

Size
600 x 600

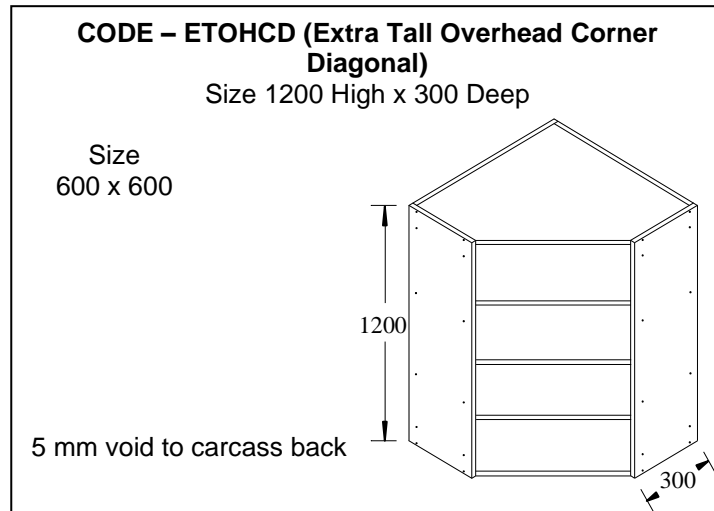
5 mm void to carcass back

CODE – TOHCD (Tall Overhead Corner Diagonal)
Size 928 High x 300 Deep

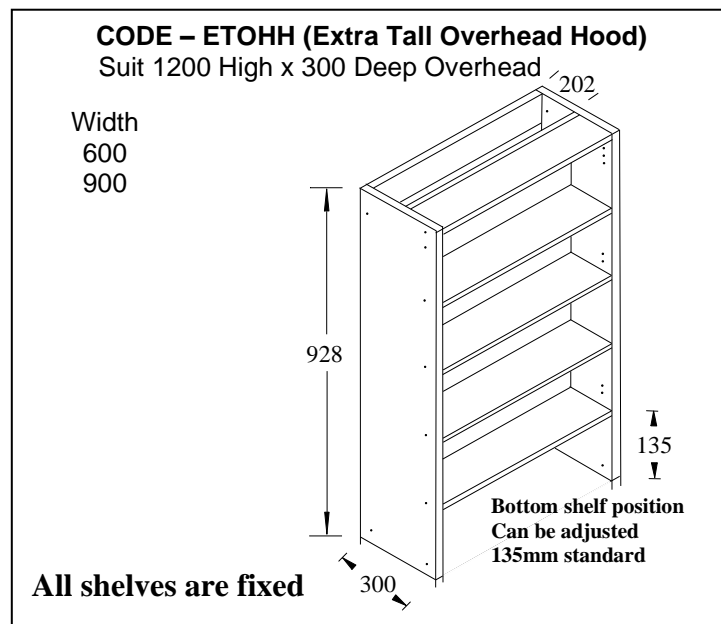
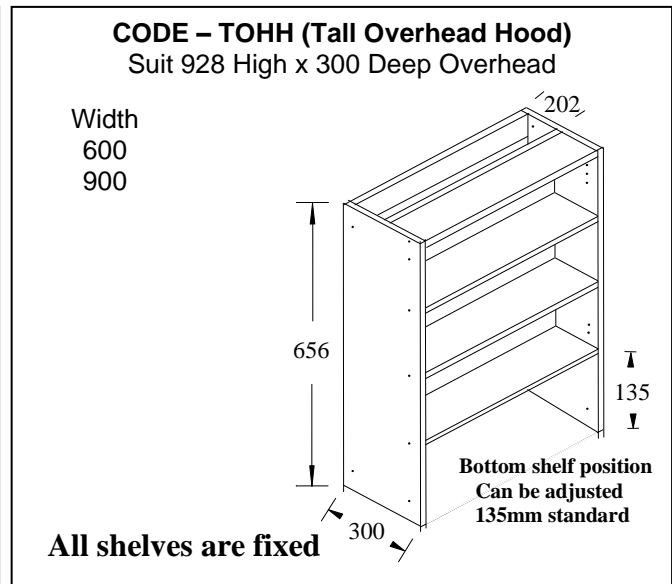
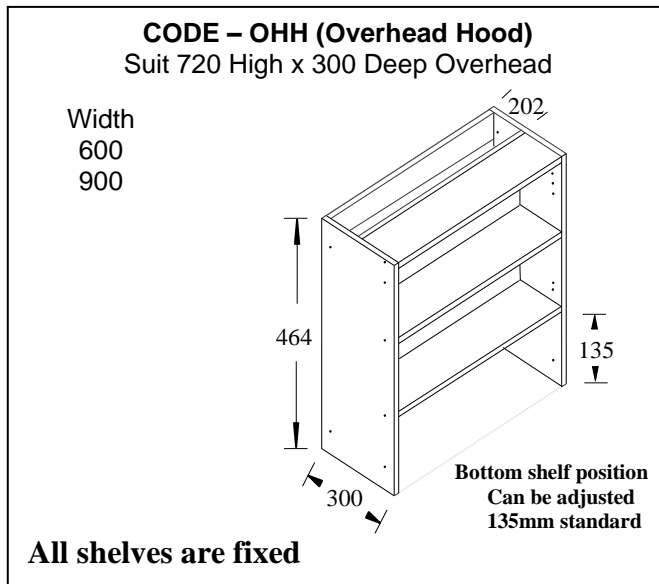
Size
600 x 600

5 mm void to carcass back

OVERHEAD CORNER UNIT



OVERHEAD HOOD UNITS

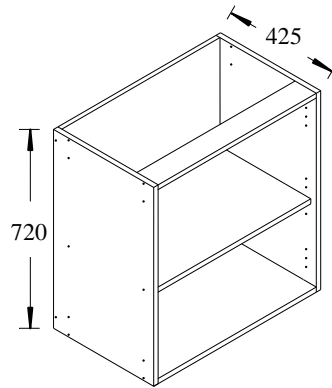


BASE UNITS

CODE – BN (Base Narrow)

Size 720 High x 425 Deep

Width
300
350
400
450
500
600
700
800
900
1000
1100

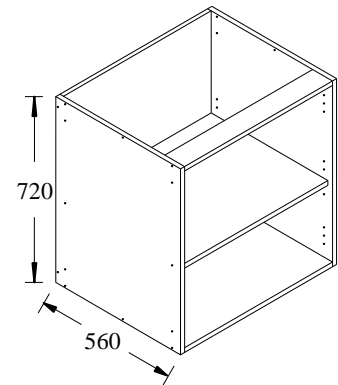


3 mm void to carcass back

CODE – B (Base)

Size 720 High x 560 Deep

Width
300
350
400
450
500
600
700
800
900
1000
1100

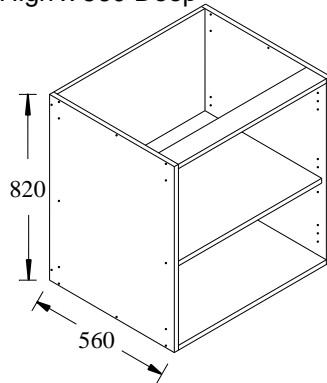


3 mm void to carcass back

CODE – BT (Base Tall)

Size 820 High x 560 Deep

Width
300
350
400
450
500
600
700
800
900
1000
1100

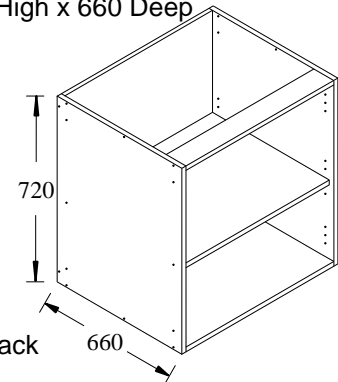


3 mm void to carcass back

CODE – BED (Base Extra Deep)

Size 720 High x 660 Deep

Width
500
1100



3 mm void to carcass back

CODE – BTED (Base Tall Extra Deep)

Width	Price
500	67.64
1100	97.05

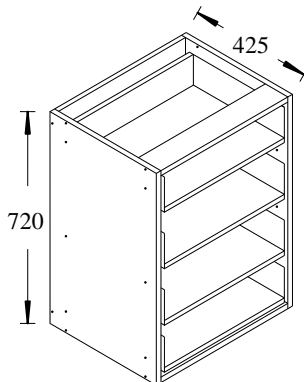
BASE DRAWER NARROW

CODE – BDN4E (Base Narrow 4 Even Drawers)

Size 720 High x 425 Deep

Width
400
450
500

Metal sided drawers
118 High (Multitech)



3 mm void to carcass
back

BASE LAUNDRY HAMPER

CODE – BLH (Base Laundry Hamper)

Size 720 High x 560 Deep

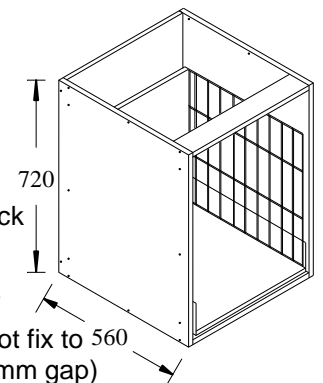
Width
600
900

Metal sided drawer
118 High (Multitech)

3 mm void to carcass back

**Max 100mm Height
Reduction allowance**

NB. Drawer back does not fix to 560
Metal drawer runner (10mm gap)

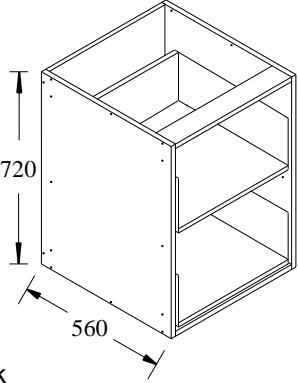


Base Narrow Drawers available in all drawer configurations, BDN2E, BDN3E and BDN3U. Priced as per standard Base Drawer Units (560mm deep)

BASE DRAWER UNITS

CODE – BD2E (Base 2 Even Drawers)
Size 720 High x 560 Deep

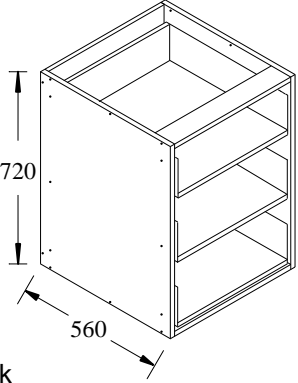
Width
400
450
500
600
700
800
900



Metal sided drawers
214 High (Multitech)
3 mm void to carcass back

CODE – BD3E (Base 3 Even Drawers)
Size 720 High x 560 Deep

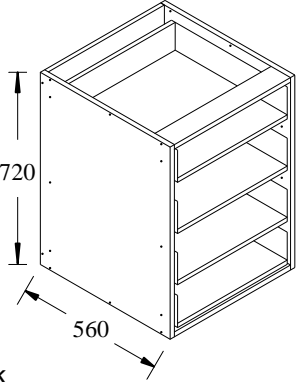
Width
400
450
500
600
700
800
900



Metal sided drawers
150 High (Multitech)
3 mm void to carcass back

CODE – BD4E (Base 4 Even Drawers)
Size 720 High x 560 Deep

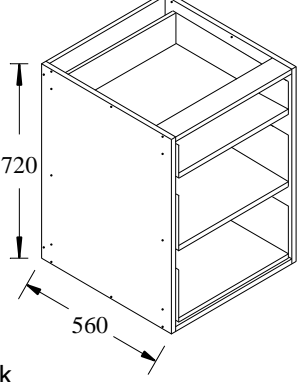
Width
400
450
500
600
700
800
900



Metal sided drawers
118 High (Multitech)
3 mm void to carcass back

CODE – BD3U (Base 3 Uneven Drawers)
Size 720 High x 560 Deep

Width
400
450
500
600
700
800
900



Metal sided drawers
1 x 118 High
2 x 214 High (Multitech)
3 mm void to carcass back

BASE DRAWER SOFT CLOSE UNITS (INNOTECH)

Drawers 480mm deep overall

Size 720 High x 560 Deep

Code – BD2E-SC Base Drawer Soft Close 2 Even		Code – BD3E-SC Base Drawer Soft Close 3 Even		Code – BD4E-SC Base Drawer Soft Close 4 Even		Code – BD3U-SC Base Drawer Soft Close 3 Uneven	
Width		Width		Width		Width	
400		400		400		400	
450		450		450		450	
500		500		500		500	
600		600		600		600	
700		700		700		700	
800		800		800		800	
900		900		900		900	

Gallery rails supplied for drawers with a front greater than 230mm

(ie. 2 Even Drawers @ 358, 3 Even Drawers @ 238 and
the 2 Even Drawers @ 268 in a 3 Uneven bank)

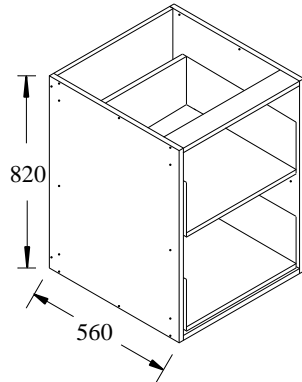
These drawers also supplied with 144mm high back

BASE TALL DRAWER UNITS

CODE – BTD2E (Base Tall 2 Even Drawers)

Size 820 High x 560 Deep

Width
400
450
500
600
700
800
900

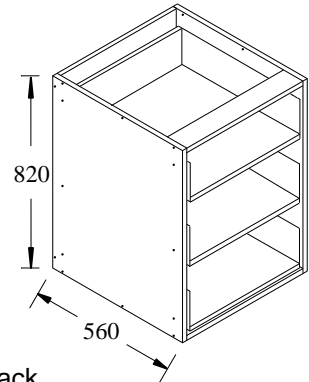


Metal sided drawers
214 High (Multitech)
3 mm void to carcass back

CODE – BTD3E (Base Tall 3 Even Drawers)

Size 820 High x 560 Deep

Width
400
450
500
600
700
800
900

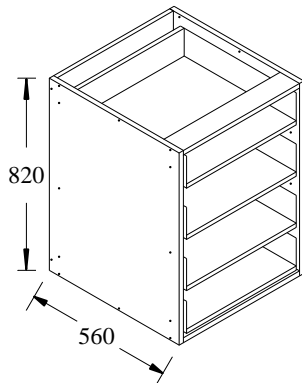


Metal sided drawers
150 High (Multitech)
3 mm void to carcass back

CODE – BTD4E (Base Tall 4 Even Drawers)

Size 820 High x 560 Deep

Width
400
450
500
600
700
800
900

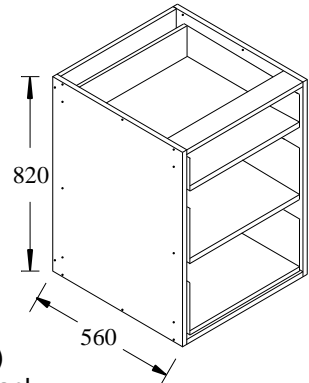


Metal sided drawers
118 High (Multitech)
3 mm void to carcass back

CODE – BTD3U (Base Tall 3 Uneven Drawers)

Size 820 High x 560 Deep

Width
400
450
500
600
700
800
900



Metal sided drawers
1 x 118 High
2 x 214 High (Multitech)
3 mm void to carcass back

BASE TALL DRAWER SOFT CLOSE UNITS (INNOTECH)

Drawer unit 480mm deep overall

Size 820 High x 560 Deep

Code – BTD2E-SC Base Drawer Soft Close 2 Even		Code – BTD3E-SC Base Drawer Soft Close 3 Even		Code – BTD4E-SC Base Drawer Soft Close 4 Even		Code – BTD3U-SC Base Drawer Soft Close 3 Uneven	
Width		Width		Width		Width	
400		400		400		400	
450		450		450		450	
500		500		500		500	
600		600		600		600	
700		700		700		700	
800		800		800		800	
900		900		900		900	

Gallery rails supplied for drawers with a front greater than 230mm

(ie. supplied with the 2 Even Drawers \geq 408, 3 Even Drawers \geq 271 and
the 2 Even Drawers \geq 305 in a 3 uneven bank)

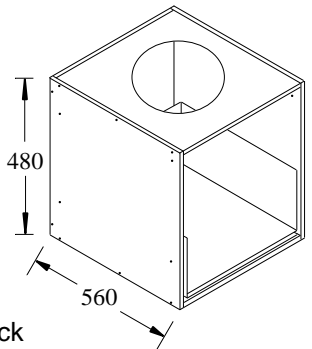
These drawers also supplied with 144mm high back

WALL OVEN BOTTOM DRAWER UNITS

CODE – WOB1D (Wall Oven Bottom 1 Drawer)
Size 480 High x 560 Deep

Width
600
700
900

1 Metal sided drawer
214 High (Multitech)

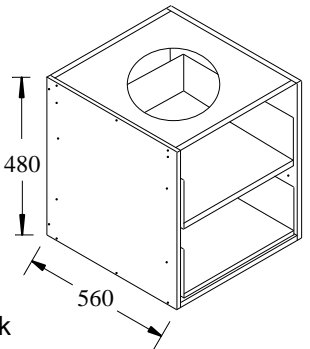


3 mm void to carcass back

CODE – WOB2D (Wall Oven Bottom 2 Drawer)
Size 480 High x 560 Deep

Width
600
700
900

Metal sided drawers
2 x 150 High
(Multitech)



3 mm void to carcass back

WALL OVEN BOTTOM SOFT CLOSE DRAWER UNITS (INNOTECH)

CODE – WOB1D-SC		CODE – WOB2D-SC	
Width		Width	
600		600	
700		700	
900		900	

WALL OVEN ACCESSORY PACK

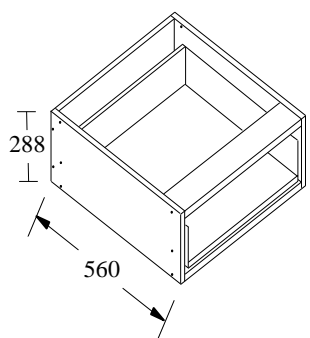
Contains all necessary components (stoppers and skids, some cutting required, angle brackets and hardware) to assemble a wall oven tower when using a WOB-1D or WOB-2D and an Overhead carcass (brackets and hardware also supplied to attach coloured board).

UNDER BENCH MICROWAVE DRAWER UNIT

CODE – UBM1D (Under Bench M/W Drawer)
Size 288 High x 560 Deep

Width
600
700
900

Metal sided drawer
214 High (Multitech)

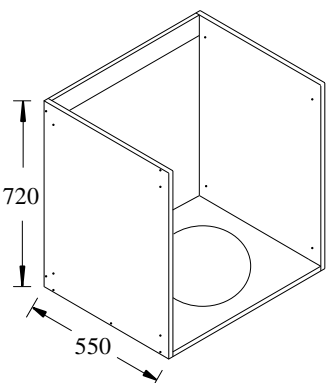


3 mm void to carcass back

UNDER BENCH OVEN UNIT

CODE – UBO (Under Bench Oven Unit)
Size 720 High x 550 Deep

Width
600
700
900



UNDER BENCH MICROWAVE DRAWER SOFT CLOSE UNIT (INNOTECH)

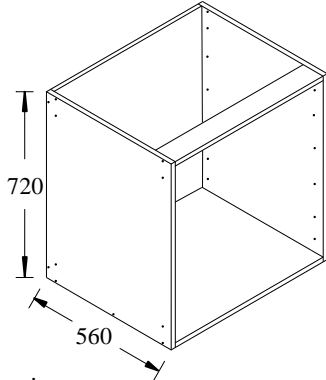
CODE – UBM1D-SC	
Width	
600	
700	
900	

BASE DRAWERS (CARCASS ONLY)

(DRAWERS NOT INCLUDED – DRAWER RUNNER HOLE BORING ONLY)

CODE – BD4E-CO (Base 4 Even Drawers)
CODE – BD3E-CO (Base 3 Even Drawers)
CODE – BD2E-CO (Base 2 Even Drawers)
CODE – BD3U-CO (Base 3 Uneven Drawers)
(Carcass Only)
 Size 720 High x 560 Deep

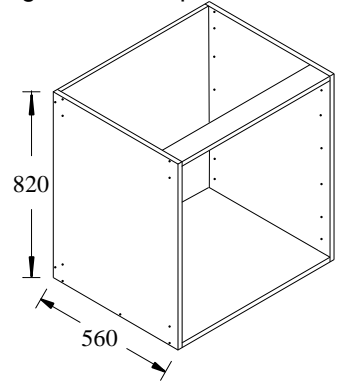
Width
 300
 350
 400
 450
 500
 600
 700
 800
 900



3 mm void to carcass back

CODE – BTD4E-CO (Base Tall 4 Even Drawers)
CODE – BTD3E-CO (Base Tall 3 Even Drawers)
CODE – BTD2E-CO (Base Tall 2 Even Drawers)
CODE – BTD3U-CO (Base Tall 3 Uneven Drawers)
(Carcass Only)
 Size 820 High x 560 Deep

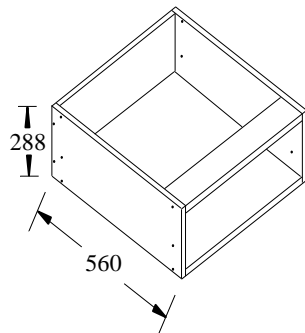
Width
 300
 350
 400
 450
 500
 600
 700
 800
 900



3 mm void to carcass back

CODE – UBM1D-CO (Under Bench M/W Drawer)
(Carcass Only)
 Size 288 High x 560 Deep

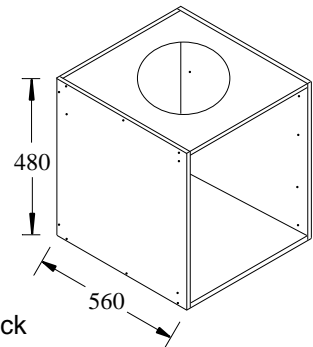
Width
 600
 700
 900



3 mm void to carcass back

CODE – WOB1D-CO (Wall Oven Bottom Drawer)
CODE – WOB2D-CO (Wall Oven Bottom Drawer)
(Carcass Only)
 Size 480 High x 560 Deep

Width
 600
 700
 900



3 mm void to carcass back

CARCASS ONLY WITH HETTICH SOFT CLOSE DRAWER BORING

SOFT CLOSE CODES (COS)

BD4E-COS
BD3E-COS
BD2E-COS
BD3U-COS

BTD4E-COS
BTD3E-COS
BTD2E-COS
BTD3U-COS

BASE CORNER UNITS

(FIXED SHELVES)

CODE – BCN (Base Corner Narrow)
Size 720 High x 425 Deep

Size
750 x 750
800 x 800

**KNOCK OUT
TOGGLE
SLOTS**

425

16 mm void to carcass back

CODE – BCD (Base Corner Diagonal)
Size 720 High x 560 Deep

Size
900 x 900
950 x 950

560

16 mm void to carcass back

CODE – BC (Base Corner)
Size 720 High x 560 Deep

Size
900 x 900
950 x 950

**KNOCK OUT
TOGGLE
SLOTS**

560

16 mm void to carcass back

CODE – BCE (Base Corner Extension)
Size 720 High x 560 Deep

Size
900 x 1200

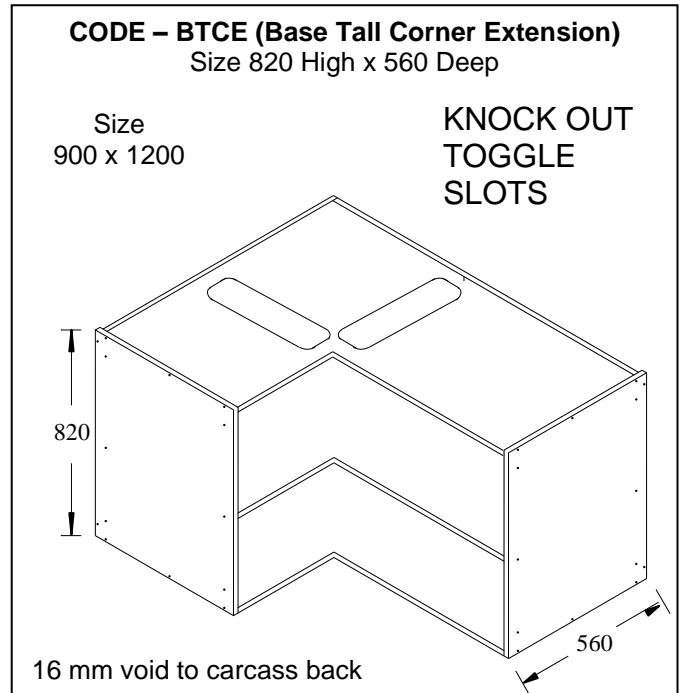
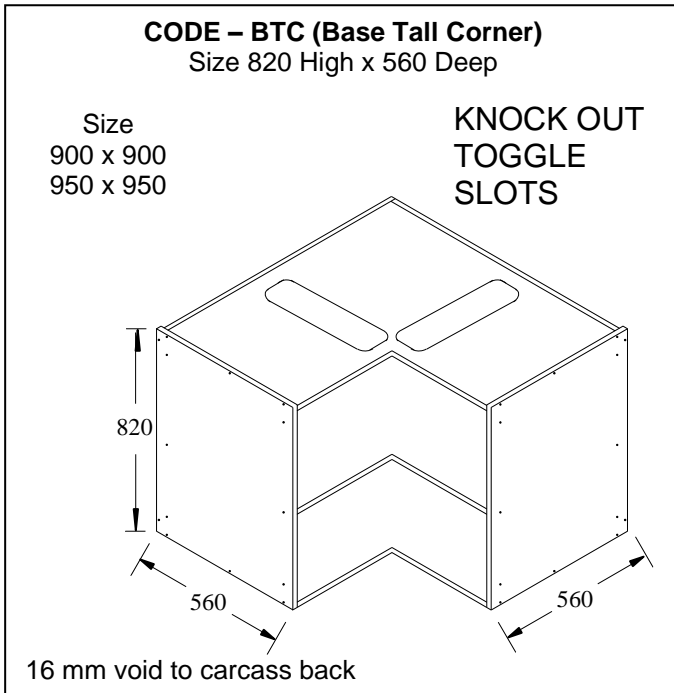
**KNOCK OUT
TOGGLE
SLOTS**

560

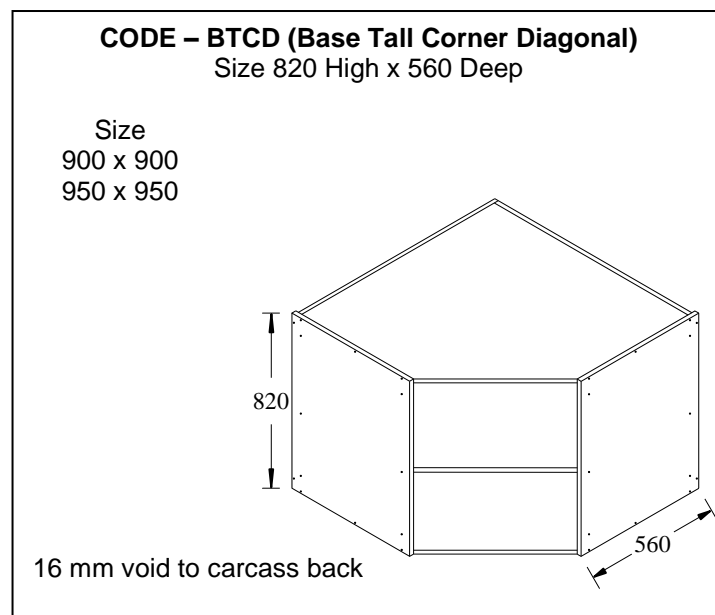
16 mm void to carcass back

For corner units the first dimension given will be deemed to be the left hand back measurement

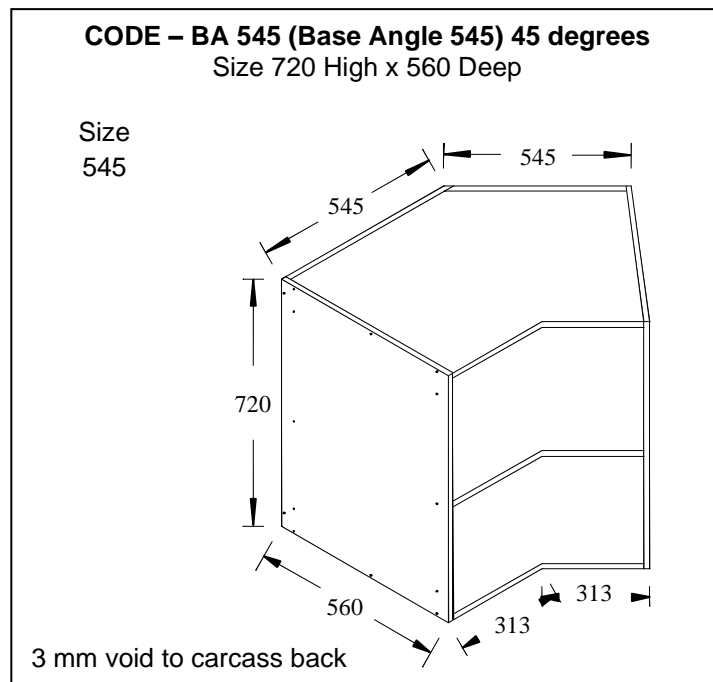
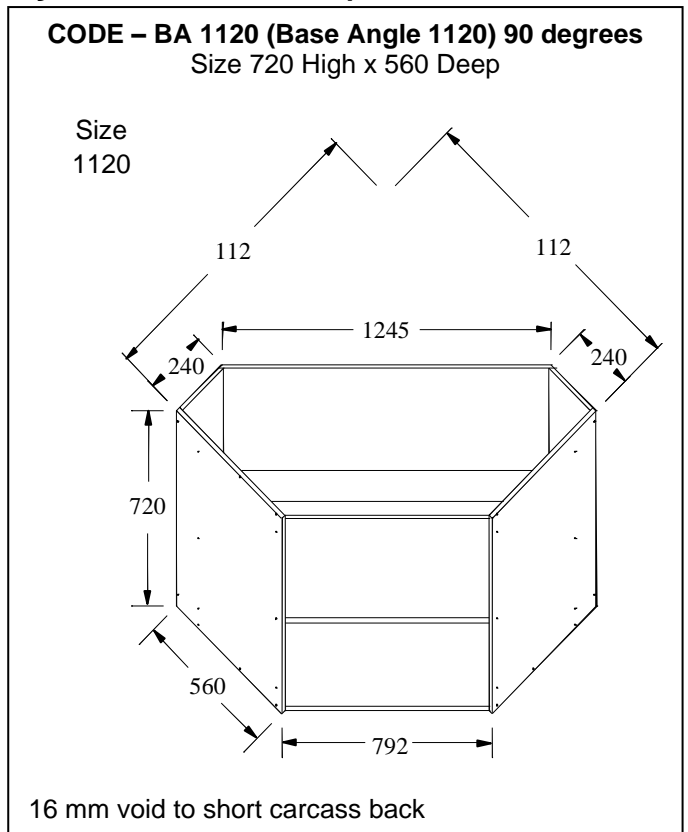
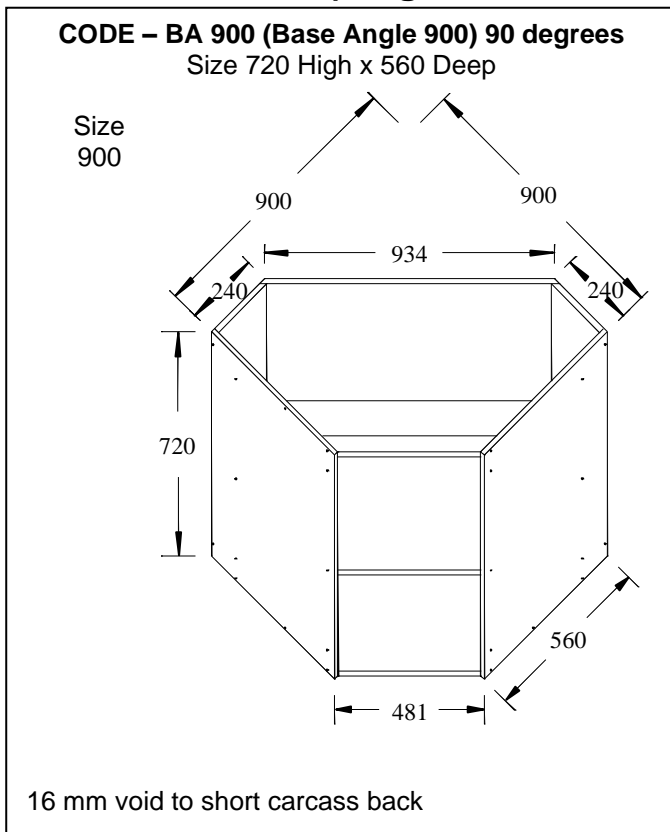
BASE TALL CORNER UNITS (FIXED SHELVES)



For corner units the first dimension given will be deemed to be the left hand back measurement



BASE ANGLE UNITS (Height Reduction Only – Fixed Shelves)



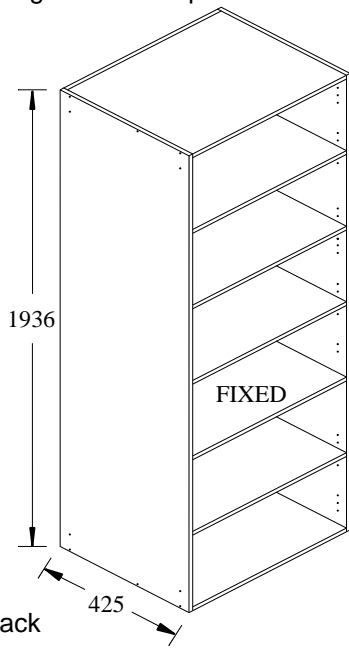
BASE TALL ANGLE UNITS Size 820 High x 560 Deep

	Size	
CODE – BTA 900 (Base Tall Angle 900) 90 degrees	900	
CODE – BTA 1120 (Base Tall Angle 1120) 90 degrees	1120	
CODE – BTA 545 (Base Tall Angle 545) 45 degrees	545	

PANTRY UNITS

CODE – PN (Pantry Narrow)
Size 1936 High x 425 Deep

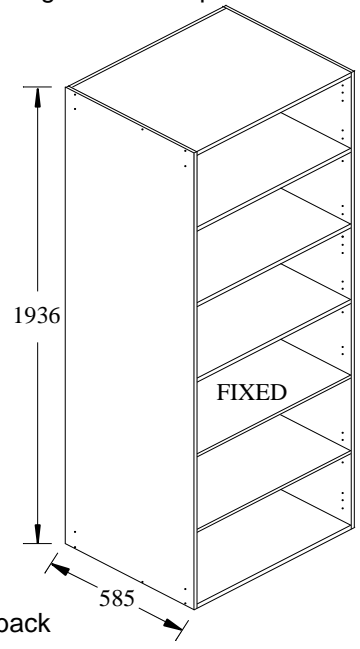
Width
300
350
400
450
500
600
700
800
900
1000
1100



3 mm void to carcass back

CODE – P (Pantry)
Size 1936 High x 585 Deep

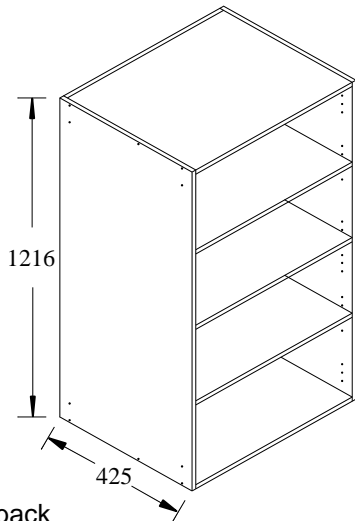
Width
300
350
400
450
500
600
700
800
900
1000
1100



3 mm void to carcass back

CODE – PNE (Pantry Narrow Extension)
Size 1216 High x 425 Deep

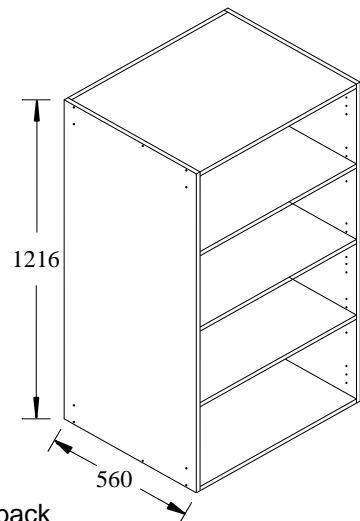
Width
300
350
400
450
500
600
700
800
900
1000
1100



3 mm void to carcass back

CODE – PE (Pantry Extension)
Size 1216 High x 560 Deep

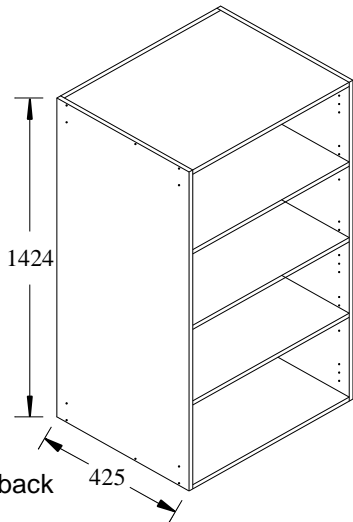
Width
300
350
400
450
500
600
700
800
900
1000
1100



3 mm void to carcass back

CODE – TPNE (Tall Pantry Narrow Extension)
Size 1424 High x 425 Deep

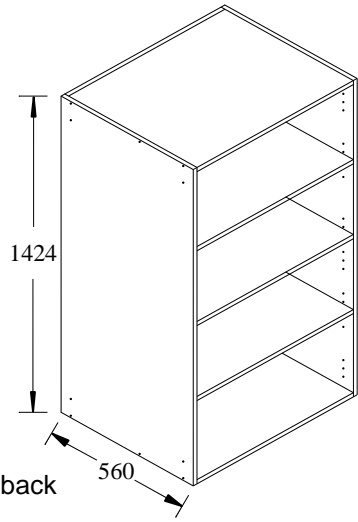
Width
300
350
400
450
500
600
700
800
900
1000
1100



3 mm void to carcass back

CODE – TPE (Tall Pantry Extension)
Size 1424 High x 560 Deep

Width
300
350
400
450
500
600
700
800
900
1000
1100

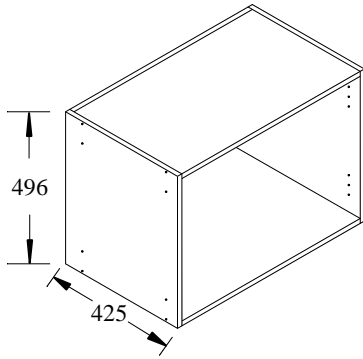


3 mm void to carcass back

PANTRY UNITS

CODE – TPTN (Tall Pantry Top Narrow)
Size 496 High x 425 Deep

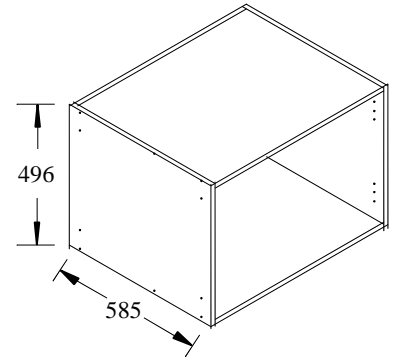
Width
300
350
400
450
500
600
700
800
900
1000
1100



3 mm void to carcass back

CODE – TPT (Tall Pantry Top)
Size 496 High x 585 Deep

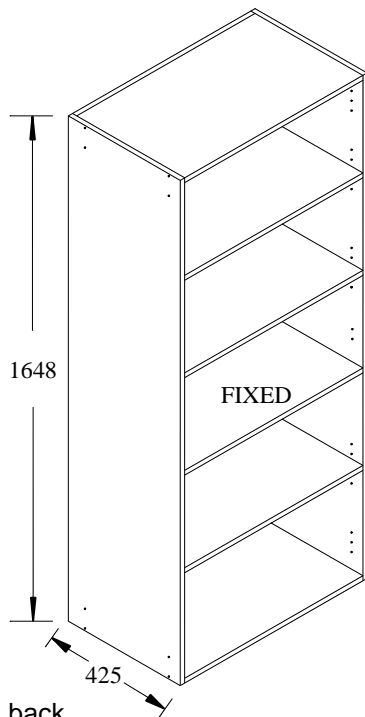
Width
300
350
400
450
500
600
700
800
900
1000
1100



3 mm void to carcass back

CODE – TPBN (Tall Pantry Bottom Narrow)
Size 1648 High x 425 Deep

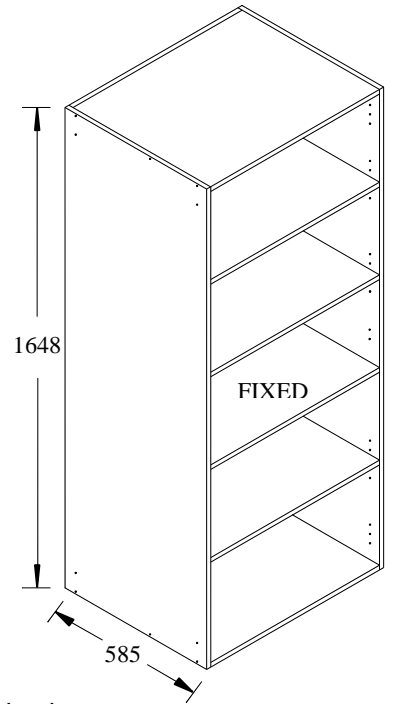
Width
300
350
400
450
500
600
700
800
900
1000
1100



3 mm void to carcass back

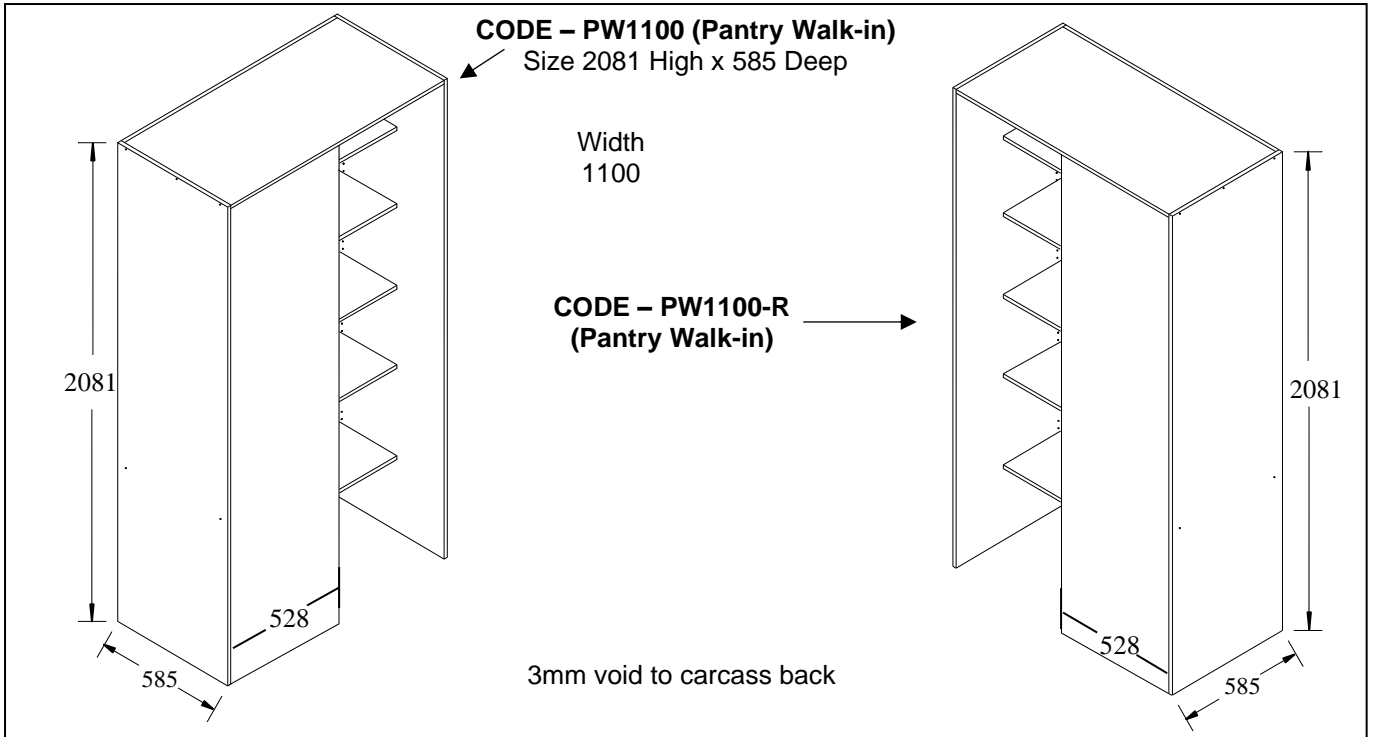
CODE – TPB (Tall Pantry Bottom)
Size 1648 High x 585 Deep

Width
300
350
400
450
500
600
700
800
900
1000
1100



3 mm void to carcass back

PANTRY WALK-IN UNITS



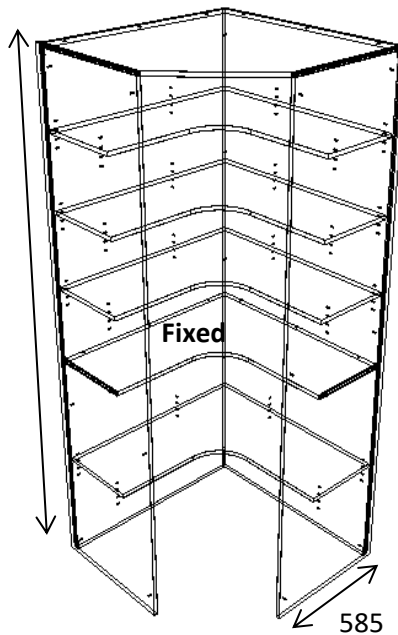
CODE – PCWLS (Pantry Corner Walk-in L Shape)

Size 2081 High x 585 Deep

Size
950 x 950
1200 x 1200

16 mm void to carcass back

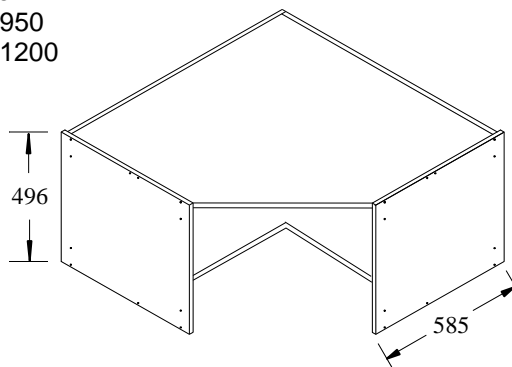
Note: Adjustable bottom shelf should be inserted before inserting fixed middle shelf.



CODE – TPCWT (Tall Pantry Corner Walk-in Top)

Size 496 High x 585 Deep

Size
950 x 950
1200 x 1200



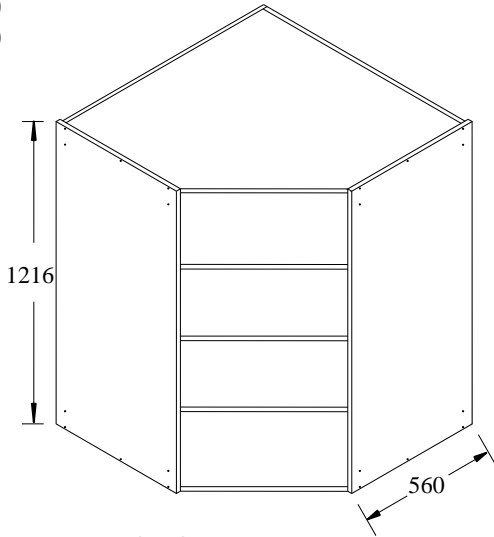
16 mm void to carcass back

PANTRY CORNER UNITS

CODE – PCE (Pantry Corner Extension)

Size 1216 High x 560 Deep

Size
900 x 900
950 x 950



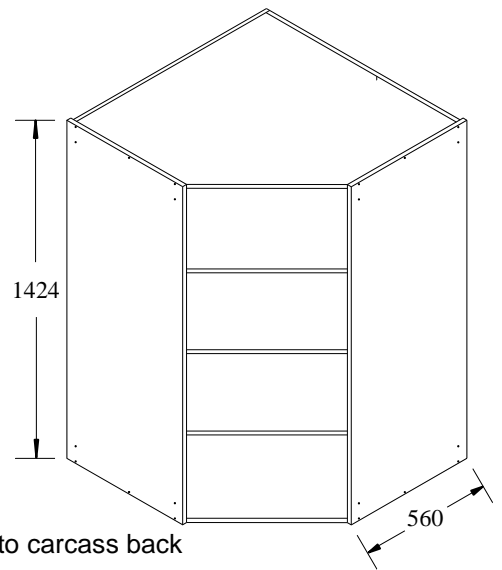
16 mm void to carcass back

Designed to sit on top of BCD unit

CODE – TPCE (Tall Pantry Corner Extension)

Size 1424 High x 560 Deep

Size
900 x 900
950 x 950



16 mm void to carcass back

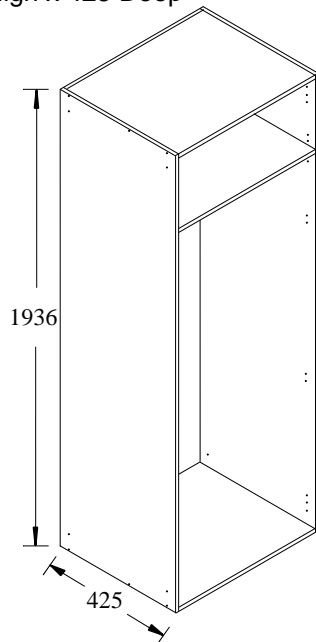
Designed to sit on top of BCD unit

BROOM UNITS

CODE – BRN (Broom Narrow)

Size 1936 High x 425 Deep

Width
300
350
400
450
500
600
700
800
900
1000
1100

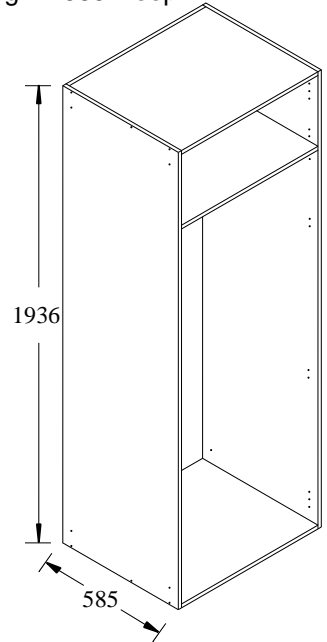


3 mm void to carcass back

CODE – BR (Broom)

Size 1936 High x 585 Deep

Width
300
350
400
450
500
600
700
800
900
1000
1100

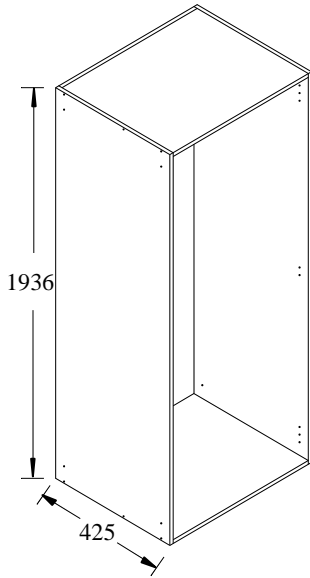


3 mm void to carcass back

BROOM UNITS

CODE – BRBN (Broom Bottom Narrow)
Size 1936 High x 425 Deep

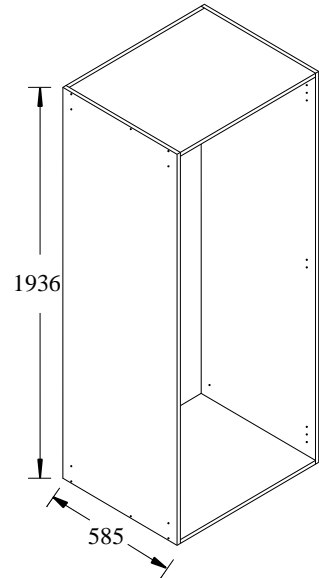
Width
300
350
400
450
500
600
700
800
900
1000
1100



3 mm void to carcass back

CODE – BRB (Broom Bottom)
Size 1936 High x 585 Deep

Width
300
350
400
450
500
600
700
800
900
1000
1100

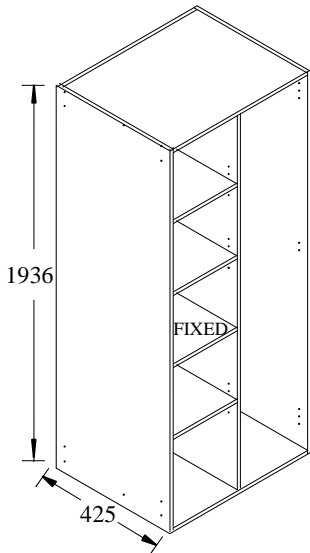


3 mm void to carcass back

BROOM LINEN UNITS

CODE – BRLIN (Broom Linen Left Hand Narrow)
Size 1936 High x 425 Deep

Width
600
700
800
900
1000
1100

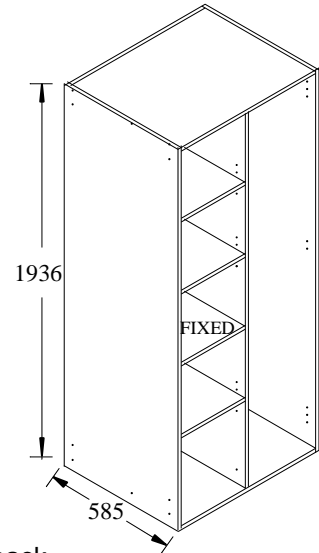


**Broom Linen
Narrow R/H
Code – BRLIN-R
Not Shown**

3 mm void to carcass back

CODE – BRLI (Broom Linen Left Hand)
Size 1936 High x 585 Deep

Width
600
700
800
900
1000
1100



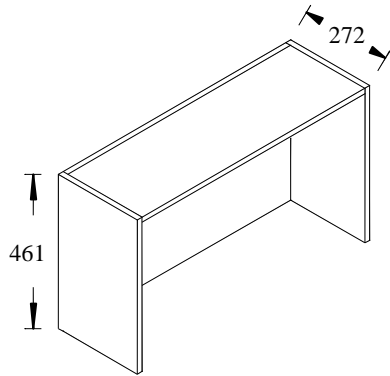
**Broom Linen R/H
Code – BRLI-R
Not Shown**

3 mm void to carcass back

APPLIANCE UNITS

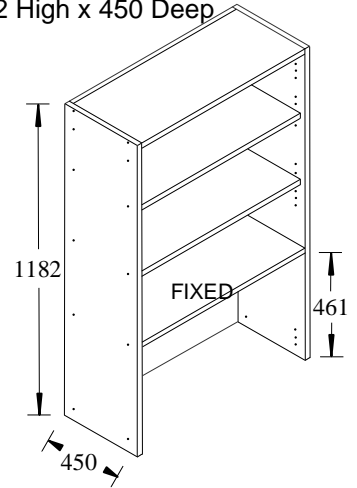
CODE – APP (Appliance Cupboard)
Size 461 High x 272 Deep

Width
600
700
800
900
1000



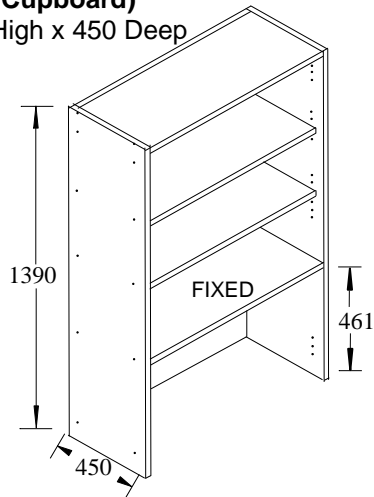
CODE – APP-OH (Appliance Overhead Cupboard)
Size 1182 High x 450 Deep

Width
600
700
800
900
1000



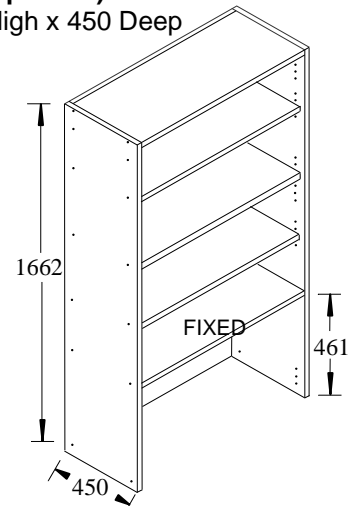
CODE – APP-TOH (Appliance Tall O/head Cupboard)
Size 1390 High x 450 Deep

Width
600
700
800
900
1000



CODE – APP-ETOH (Appliance Tall O/H Cupboard)
Size 1662 High x 450 Deep

Width
600
700
800
900
1000



VANITY UNITS

CODE – V (Vanity)
Size 656 High x 460 Deep

Width
400
450
500
600
700
800
900
1000

460

656

Adj Shelf

3 mm void to carcass back

CODE – VC (Vanity Corner)
Size 656 High x 295 Deep

Size
575 x 575

575

575

656

Fixed shelf

295

396

No top rail to allow for bowl
3 mm void to carcass back

CODE – VDR4E (Vanity Drawer)
Size 656 High x 460 Deep

Width
400
450

460

656

Metal sided drawers
86 High

3 mm void to carcass back

CODE – VCD (Vanity Corner Drawer)
Size 656 High x 295 Deep

Width
280

295

656

Metal sided drawers
86 High

3 mm void to carcass back

CODE – VDR3E (3 Even Vanity Drawer)
Size 656 High x 460 Deep

Width
300
400
500

Metal sided drawers 150mm high
3 mm void to carcass back

CODE – VCD3E (3 Even Vanity Drawer)
Size 656 High x 295 Deep

Width
280

Metal sided drawers 150mm high
3 mm void to carcass back

DROP FRONT VANITY UNITS

CODE – VDF (Vanity Drop Front)
Size 656 High x 325 Deep

Width
400
450
500
600
700
800
900
1000

325

656

Adj Shelf

3 mm void to carcass back

CODE – VDFDR (Vanity Drop Front Drawer)
Size 656 High x 325 Deep

Width
300
400
450

325

656

Metal sided drawers
86 High

3 mm void to carcass back

CARCASS ACCESSORIES

CODE – CT (Cutlery Tray)

To Suit
400
450
500
600

**Specify when ordering if required to suit
Multitech Metal Sided Drawer
Or
Innotech Soft Close Drawer**

CODE – MDR (Pot Drawer)

Multitech metal sides & runners

Side	Side
Height	Depth
86	500-400-250
118	500-400-250
150	500-400-250
214	500-400-250

CODE - DSMD (Damper System Multitech Drawers)
4 Pack

CODE – SCDR (Suit Standard Drawer)
Innotech Soft Close Sides & Runners

Side Height	Side Depth
70	470

CODE – SCGR (Suit Pot Drawer)
Innotech Soft Close Sides, Runners & Galley Rails

Side Height	Side Depth
144	470

CODE – ES (Fixed Shelf)

**Cut to suit Mortise & Tenon units
or EAS (Extra Adjustable Shelf)**

To Suit 300 Deep

Size
300 - 600
600 - 1100

To Suit 425 Deep

Size
300 – 600
600 - 1100

To Suit 560 Deep

Size
300 – 600
600 - 1100

To Suit 585 Deep

Size
300-600
600-1100

To Suit 660 Deep

Size
300-600
600-1100

To Suit Corner Units

Size
BC 900
BC 950
BCE
OHC
OHCE

To Suit Corner Units

Size
PCW950
PCW1200

DRAWER BOTTOMS & BACKS

Multitech	Width
DRB&B118-600	300 - 600
DRB&B118-900	601 - 900
DRB&B150-600	300 - 600
DRB&B150-900	601 - 900
DRB&B214-600	300 - 600
DRB&B214-900	601 - 900
Innotech Code	Width
DRB&BSTD-600	300 - 600
DRB&BSTD-900	601 - 900
DRB&BPOT-600	300 - 600
DRB&BPOT-900	601 - 900

**Note: When ordering please specify in special instructions overall cabinet size.
Not base and back finished size**

CODE – H (Hinge)

Including Mounting Plate
Hinge
45 degree
110 degree
165 degree
Bi-fold Centre

CODE – HSC (Soft Close Hinge)

Including Mounting Plate
Hinge
45 degree
110 degree
165 degree
Bi-fold Centre

CODE – LEG (Adjustable Legs 4 pin)

Including mounting block and kicker clips
Pack 8
Pack 20

WARDROBE INTERIORS

CODE – RSH 20 (Robe Shelf Unit)
Size 2000 High x 425 Deep

Width
500
600

No Back Included
in this unit

2000

425

64

FIXED

CODE – RMDR 20 (Robe Metal Sided Drawer Unit)
Size 2000 High x 425 Deep

Width
500
600

These units come with
4 pre bored HIE
white drawer fronts to suit the
width of the unit.
No Back Included
in this unit

2000

425

64

FIXED

Metal Sided Drawers 214 High

CODE – RSH 20-525 (Robe Shelf Unit)
Size 2000 High x 525 Deep

Width
500
600

No Back Included
in this unit

2000

525

64

FIXED

CODE – RMDR 20-525 (Robe Metal Sided Drawer Unit)
Size 2000 High x 525 Deep

Width
500
600

These units come with
4 pre bored HIE
white drawer fronts to suit the
width of the unit.
No Back Included

2000

525

64

FIXED

Metal Sided Drawers 214 High

WARDROBE COMPONENTS

CODE – RS (Robe Shelf)

Please specify individual lengths required
(Max. 3600mm)
Edged 1 Long Edge Only

To Suit 425 Deep
Per metre

To Suit 525 Deep
Per metre

CODE – RHR (Robe Hanging Rail)

25 mm Aluminium White Tube

Per metre



Please specify individual lengths required. Rounded up the closest metre length.

CODE – RC (Robe Cleat)

Price per length

Size
2400 x 64
2400 x 81
2400 x 96

CODE – RCS (Rail Centre Support)

Hanging Rail Metal Centre Support

Each



CODE – RES (Rail End Support)

Hanging Rail Plastic End Support

Each





Duraform Products (Australia) Pty Ltd
 3 Foster Street,
 Pooraka, SA 5095
 Telephone: (08) 8359 7070
 Fax: (08) 8359 7072
 E-mail: admin@duraproduct.com

CARCASS ORDER FORM

Business Name:			Contact Name:		
Postal Address:			Order Number:		
Delivery Address			Date Ordered:		
Telephone:			Office use only:		SCH:
Delivery required: Yes <input type="checkbox"/> No <input type="checkbox"/> E-mail:					

Mortise & Tenon Carcass

QTY	CARCASS CODE	HEIGHT	WIDTH	DEPTH	COMMENT

DRAWER UNITS

(Drawer Front Heights Required for Runner Boring)

QTY	CODE	HEIGHT	WIDTH	DEPTH	DR1	DR2	DR3	DR4	OFFICE USE ONLY
Eg. 1	BD4E	720	450	560	178	178	178	178	
Eg. 1	BD3U	720	450	560	178	268	268	-	

CORNER UNITS

QTY	CODE	HEIGHT	L / LENGTH	L / DEPTH	R / LENGTH	R / DEPTH

Please sign and date below to confirm the order.

Name: Signature: Date: / /

Alterations or cancellations will not be accepted once order is placed

